



URKUNDE

Es wird hiermit bescheinigt,
dass für die in der Patentschrift
beschriebene Erfindung ein
europäisches Patent für die in der
Patentschrift bezeichneten Ver-
tragsstaaten erteilt worden ist.

Europäisches Patent Nr.

CERTIFICATE

It is hereby certified that a
European patent has been granted
in respect of the invention
described in the patent specifica-
tion for the Contracting States
designated in the specification.

European patent No.

CERTIFICAT

Il est certifié qu'un brevet
européen a été délivré pour
l'invention décrite dans le
fascicule de brevet, pour les
Etats contractants désignés
dans le fascicule de brevet.

Brevet européen n°

2281699

Patentinhaber

Proprietor of the patent

Titulaire du brevet

Giuliano Group S.p.A.
Via Costituzione, 69
42015 Correggio (RE)/IT

München, den
Munich,
Fait à Munich, le

23.05.12

Benoît Battistelli

Präsident des Europäischen Patentamts
President of the European Patent Office
Président de l'Office européen des brevets

(19)



(11)

EP 2 281 699 B1

(12)

EUROPEAN PATENT SPECIFICATION

(45) Date of publication and mention of the grant of the patent:
23.05.2012 Bulletin 2012/21

(51) Int Cl.:
B60C 25/13 (2006.01) B60C 25/138 (2006.01)

(21) Application number: **10171628.0**

(22) Date of filing: **02.08.2010**

(54) **Unit for bead breaking in tyre changing machines**

Einheit zum Wulstabdrücken von Reifen in einer Reifenwechsellmaschine

Unité de démonte-talons de pneus dans des machines de changement de pneus

(84) Designated Contracting States:
AL AT BE BG CH CY CZ DE DK EE ES FI FR GB GR HR HU IE IS IT LI LT LU LV MC MK MT NL NO PL PT RO SE SI SK SM TR

(30) Priority: **07.08.2009 IT MO20090209**

(43) Date of publication of application:
09.02.2011 Bulletin 2011/06

(73) Proprietor: **Giuliano Group S.p.A.**
42015 Correggio (RE) (IT)

(72) Inventor: **Bonacini, Maurizio**
42015, Correggio (RE) (IT)

(74) Representative: **Brunacci, Marco et al**
BRUNACCI & PARTNERS S.r.l.
Via Scaglia Est, 19-31
41126 Modena (IT)

(56) References cited:
EP-A1- 1 623 850 EP-A1- 1 897 708
EP-A1- 2 062 752 US-A- 5 226 465

EP 2 281 699 B1

Note: Within nine months of the publication of the mention of the grant of the European patent in the European Patent Bulletin, any person may give notice to the European Patent Office of opposition to that patent, in accordance with the Implementing Regulations. Notice of opposition shall not be deemed to have been filed until the opposition fee has been paid. (Art. 99(1) European Patent Convention).

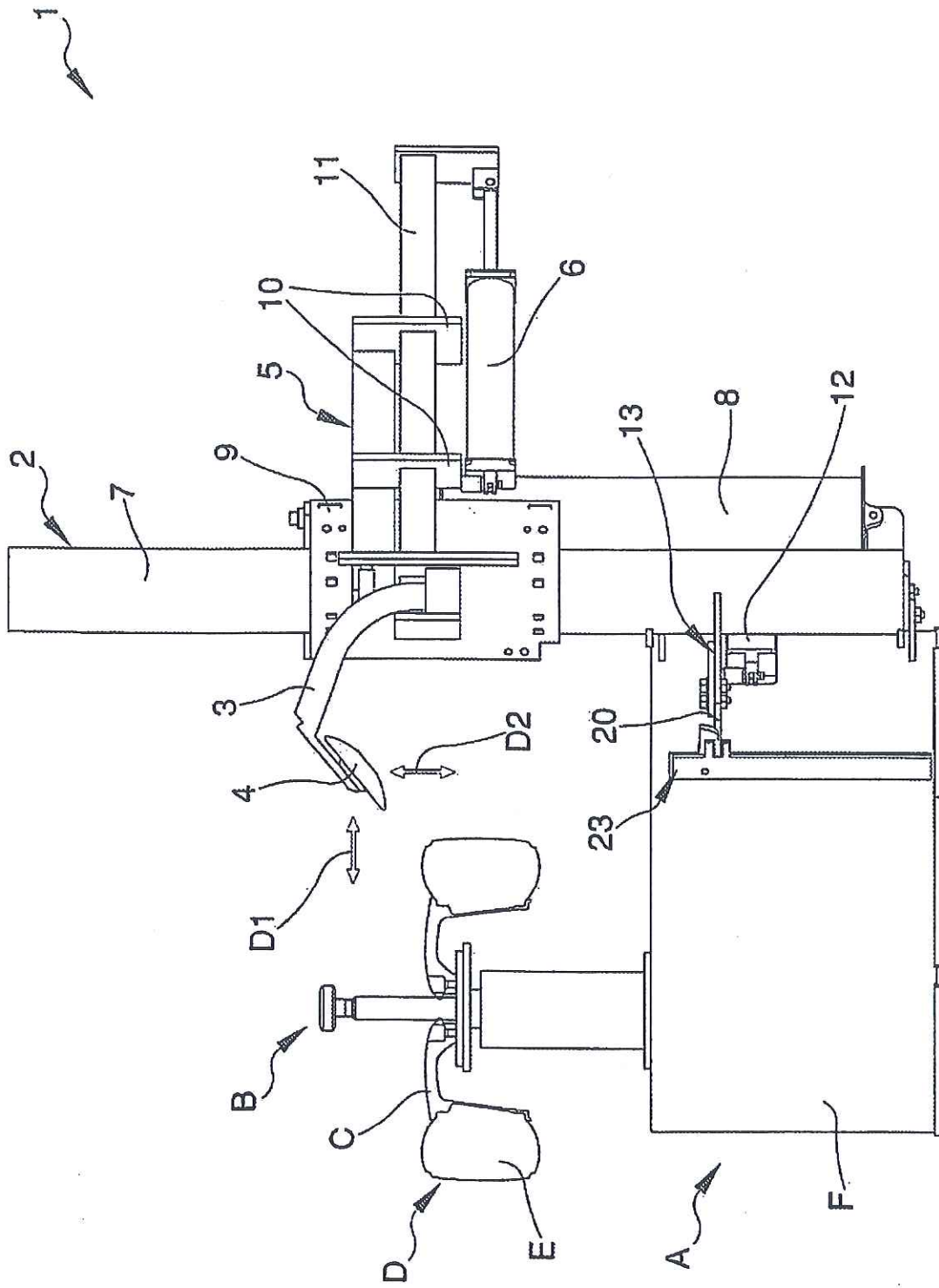


Fig. 1